



Traditional Product Requirements & Specifications for Equipment Placement

Below are the components of the Lottery Traditional Draw Game and Instant Ticket System. Equipment installed in your location will vary with the type of business you have.

Component Definitions:

Altura: Clerk operated terminal used to sell/produce draw game tickets.

Window Jackpot Sign: Powerball, Mega Millions, Megabucks, draw times and amounts.

Lottery-To-Go: Player operated terminal used to sell draw game and Scratch-it Tickets.

Check A Ticket Scanner: Player can use this device to check draw game and Scratch-it tickets.

Printer: Thermal printer for the Imagine Terminal.

Monitor: One Display monitor.

Installation and service of the above devices provided by IGT.

Router: A network device used to direct electronic communication from one device on a network to another device on a network.

Terminal Type	Height (in inches)	Width (in inches)	Depth (in inches)	Weight (in lbs)	VAC	Start Up Amps
Altura	15.5	13.4	19	45	120	3.0
Lottery-To-Go	74.38	35.5	29	600	120	3.0
Check A Ticket Scanner	12.5	8.7	4.9	12	120	0.5
Printer	7.48	6.5	10.81	6	120	1.5
Display Monitor	27.60	31.9	9.7	31.1	120	1.5
HP Router 1841	1.75	13.5	10.5	6.41	120	1.0
Play Station	65	25	15	86	NA	NA
Window Jackpot Sign	19	14	4	3.6	120	2.0

System Wiring Requirements –

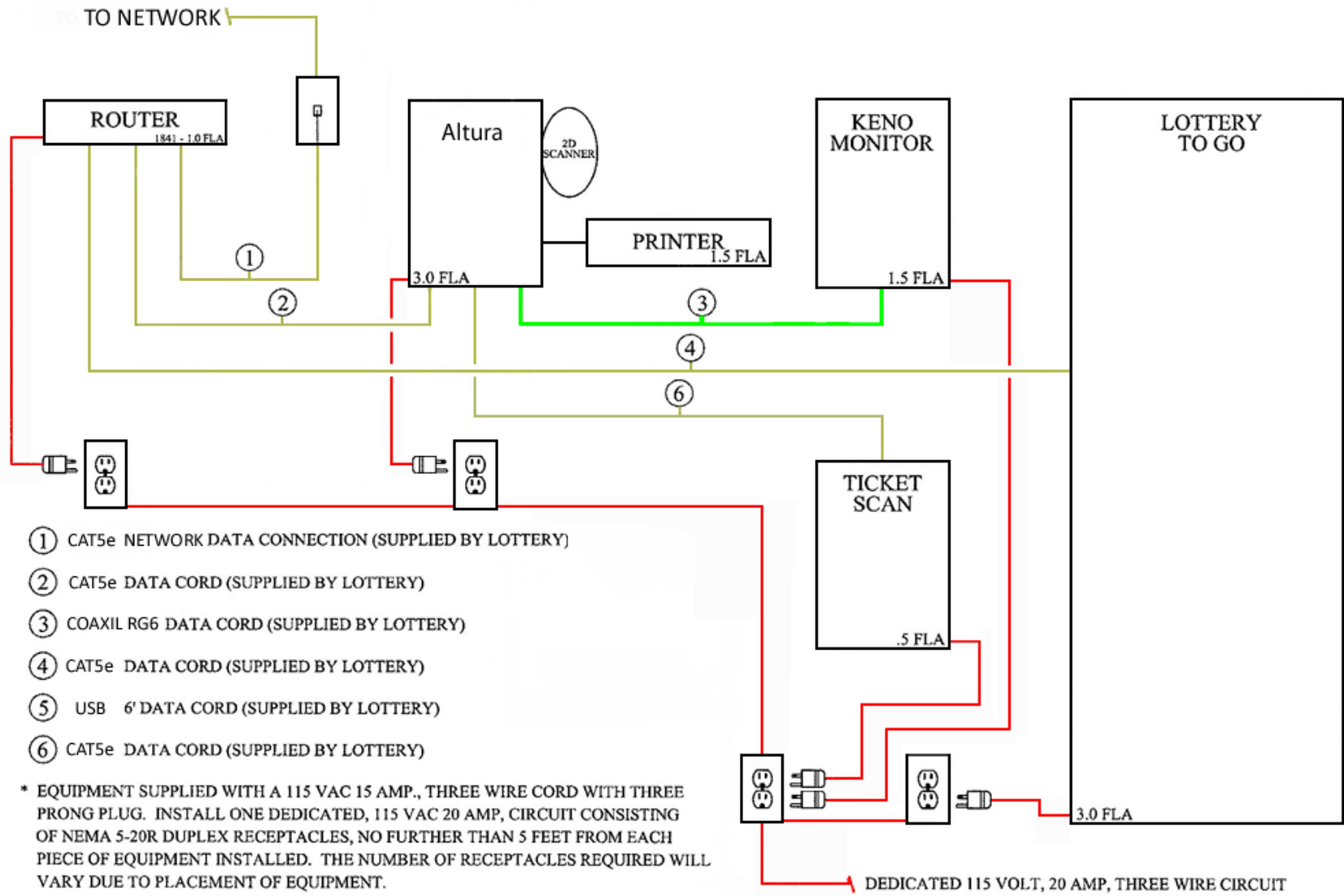
The Lottery’s Draw Game vendor IGT provides communication wiring between the Draw Game System components. Use of a licensed electrical contractor to obtain all permits and install all electrical service wiring is strongly recommended. Unauthorized alteration, repairs, or tampering with telephone communication or electrical service wiring may result in interrupted service and a charge for repairs.

Input power and outlet –

Draw Game System components require one dedicated 20 amp circuit with three wire grounded standard wall outlets. The number and location of the Draw Game System components determine the number of outlets.

The Lottery Area Coordinator will contact new retailers to schedule a planning meeting with the retailer, the licensed electrical contractor and Lottery Field Sales and IGT Customer Service Representatives to plan the installation of the Lottery Draw Game System. If you have questions, or you need to relocate components of the draw game system, contact the Lottery Area Coordinator two weeks prior to the move. For additional assistance, please call 1-800-766-6789.

TYPICAL WIRING DIAGRAM



03/20/19