



Video Product Requirements & Specification for Equipment Placement

PO Box 12649
Salem, Or 97309

There are three components of the Lottery’s video gaming system including the Video LotterySM Terminals (VLT), the Video Site Controller (VSC) and a Router:

Component Definitions:

VLT: A player operated terminal. Terminal types are listed in the table below.

VSC: Control point for the video gaming system. Validates tickets for payment and provides accounting and information reporting.

Router: A network device used to direct electronic communication from one device on a network to another device on a network.

| TERMINAL TYPE | Height (In Inches) | Width (In Inches) | Depth (In Inches) | Weight (In Pounds) | VAC | Full Load AMP |
|---------------|--------------------|-------------------|-------------------|--------------------|---------|---------------|
| IGT Game King | 75 | 27 (30) | 25 (41.5) | 300 | 110-122 | 6.0A |
| IGT TrimLine | 75.5 | 27.75 (32) | 23 (37) | 300 | 110-122 | 6.0A |
| WMS Bluebird | 68 | 27.75 (32) | 25.875 (43) | 323.2 | 110-122 | 4.0A |
| Bally C9 | 64.5 | 28.5 | 30.5 | 345 | 110-122 | 6.3A |
| prodiGi Vu | 76.5 | 28 (33) | 22 (34) | 265 | 100-120 | 3A |
| Router 1721 | 3 | 11.25 | 8.75 | 2.8 | 120 | 2 |
| Router 1841 | 1.75 | 13.5 | 10.5 | 6.41 | 120 | 1.0 |
| VSC | 17 | 9 | 20.5 | 9.2 | 105-129 | 2.0A |

Note: Measurements in parenthesis indicates when door is open

Ambient air temperature must be maintained between 40° – 100° F at all times.

Space Requirements – Adequate space should be allowed for access to remove cash and service the terminal. An additional foot of vertical clearance for the VSC is necessary to access and change paper in the VSC printer.

System Wiring Requirements - The Oregon Lottery will install communication cabling from the router to the VSC and VLTs. If used, conduit for fiber optic wiring must be a minimum ½” ID with a min. bend radius of 3”.

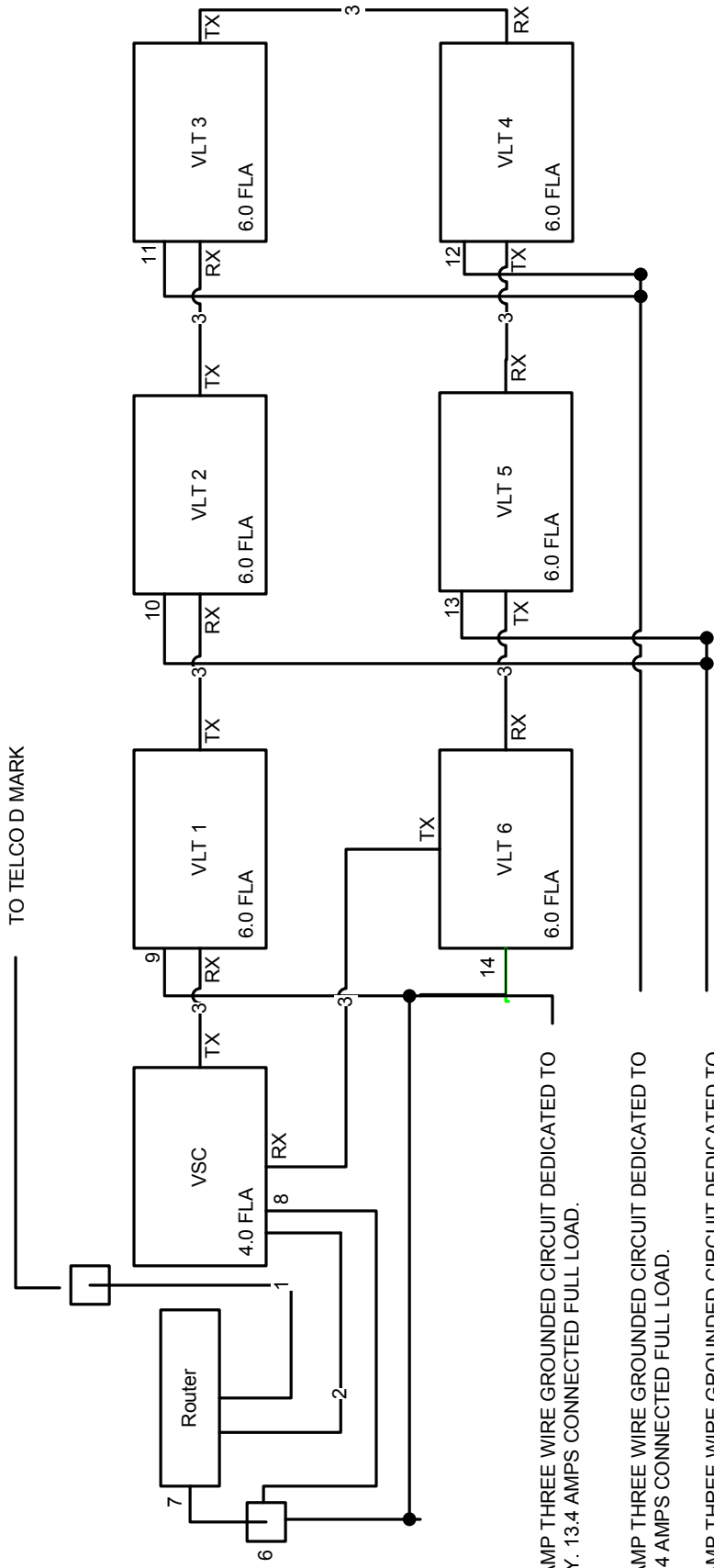
Use of a licensed electrical contractor to obtain all permits and install all electrical service wiring is strongly recommended. Unauthorized alteration, repairs or tampering with telephone, data, or electrical service may result in interrupted service and a charge for repairs.

Input power and outlets: Video system components require dedicated 20 amp three wire grounded standard wall outlets. The number and location of the video system components determine the number of outlets.

Your Area Coordinator will contact you to schedule a meeting with your licensed electrical contractor and Lottery representatives to plan the installation of the video gaming system.

To schedule terminal relocations, contact your Area Coordinator at 1-800-766-6789 two weeks prior to the move.

Typical Wiring Diagram



CIRCUIT #1= 115 VAC 20 AMP THREE WIRE GROUNDED CIRCUIT DEDICATED TO FRAD VSC VLT #1#6 ONLY. 13.4 AMPS CONNECTED FULL LOAD.

CIRCUIT #2= 115 VAC 20 AMP THREE WIRE GROUNDED CIRCUIT DEDICATED TO VLT #3, VLT#4 ONLY. 13.4 AMPS CONNECTED FULL LOAD.

CIRCUIT #3= 115 VAC 20 AMP THREE WIRE GROUNDED CIRCUIT DEDICATED TO VLT #2, #5 ONLY. 13.4 AMPS CONNECTED FULL LOAD.

1 = TELCO DATA CONNECTION. U.T.P. 4 PAIR, CAT 5 RJ45 TO RJ45 PATCH CABLE (BY LOTTERY)

2 = PATCH CABLE U.T.P. 4 PAIR (BY LOTTERY)

3 = FIBER CABLE, HEWLETT PACKARD # HFBR-RUS. STANDARD ATTENUATION (POF), UNCONNECTED. SIMPLIS CABLE. TRANSMIT CONNECTOR # HFBR-4501 GRAY, RECEIVE CONNECTOR # HFBR 4511 BLUE. TX= TRANSMIT DATA RX= RECEIVE DATA

6 = ISOBAR TRANSIENT VOLTAGE SURGE SUPPRESSER MODEL #ISOBAR 4 ULTRA

7 8 = EQUIPMENT SUPPLIED WITH A 115 VAC 15 AMP NEMA 5-15P THREE
 9 10 WIRE GROUNDING CORD. INSTALL ONE, 115 VAC 20 AMP NEMA 520R
 11 12 DUPLEX RECEPTACLE NO FURTHER THAN FIVE FEET FROM EACH
 13 14 EQUIPMENT

NOTICE OF PROPRIETARY MATERIAL:

THE INFORMATION CONTAINED IN THIS DOCUMENT IS PROPRIETARY TO THE OREGON LOTTERY AND MAY BE USED ONLY IN ACCORDANCE WITH WRITTEN AGREEMENT WITH THE OREGON LOTTERY. IT IS UNLAWFUL TO COPY OR REPRODUCE THIS DOCUMENT OR ANY PART THEREOF IN ANY MEDIA OR TO USE REFERENCE SAME EXCEPT FOR THOSE PURPOSES IN THE MEANS AND QUANTITIES SPECIFIED IN WRITTEN AGREEMENT WITH THE OREGON LOTTERY